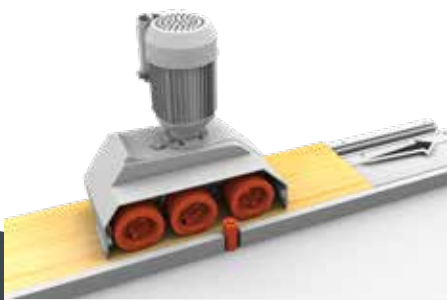




*Professional
power-feeding
unit with fixed
speeds*

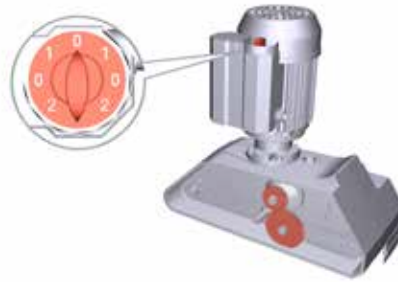
STEFF 2034

Safety device for a safe and effective workpiece feeding on different types of traditional wood-working machines



HIGH-QUALITY END PRODUCTS

3-wheel model : the ideal solution for the feeding of laths and medium or small-size workpieces. Thanks to the two infeed-wheels and the third outfeed one, the workpiece is constantly and evenly fed through the working process, thus remarkably improving the quality of the end products.



QUICK SET-UP

The speed selector allows a quick set-up of the 1st and the 2nd feed-rate and the quick change of the feeding direction back and forth; while swapping the internal gears. You obtain the 4 speeds.



PERFECT GRIP

50-Shore wheels made of patented "Feeder Grip" rubber, providing the longest durability and the highest grip on the workingpiece

- **Improves the safety** : the operator does not have to put his hands close to the tool
- **Improves the finish quality**, thanks to the constant and even feed-rate
- **Feed-rate can be easily selected** to meet every specific working need
- **Easily adjustable** to suit different sizes of work piece



STEFF 2034 SERVICE

Worldwide after-sale service.
Real-time, on-line remote assistance through a dedicated augmented reality APP.
Spare-parts availability for up to 10 years, shipment within 24 hrs

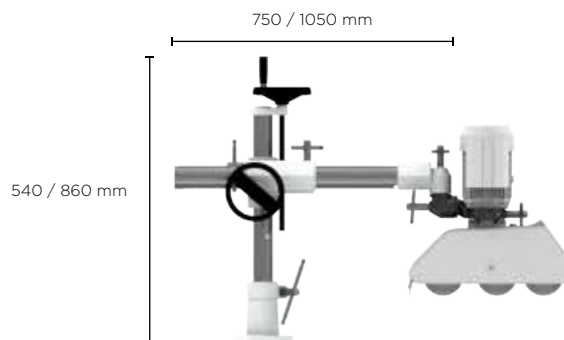
DATA SHEET

N. of speeds back and forth	4
Fixed speeds	4 - 8 -11 - 22 mt/min
N. of wheels	3
Wheel diameter and thickness	120 x 60 mm
Motor	1 HP / 0,75 KW RPM 1400 /2800
Wheel suspension	20 mm
Distance between wheels	○○○ 133 mm - 153 mm
Distance between first and last wheel	○○○ 286 mm
Overall dimensions and net weight of the feeding unit	474 x 220 x 490 mm 30 Kg
Overall dimensions and net weight of the stand	540 x 910 mm 35 Kg
Package dimensions and gross weight (feeding unit)	670 x 570 x 330 mm 32 Kg
Package dimensions and gross weight (stand)	800 x 330 x 330 mm 37 Kg



SAFETY AS A CORE VALUE

A power-feeder improves the safety as it feeds the workpiece close to the tool, while operator's hands are kept at a distance. Its effectiveness depends on specific design and manufacturing criteria. Maggi feeders are the only ones designed and manufactured in Italy and abiding by all EU safety norms.



UNIVERSAL STAND

For easy positioning and adjusting of the feeding unit on the machine tool. It is easy to fix, stable and strong : foot, cross-shaped piece, pipe, joint and collar are made of cast-iron and the two columns are made of rectified steel of considerable thickness.

